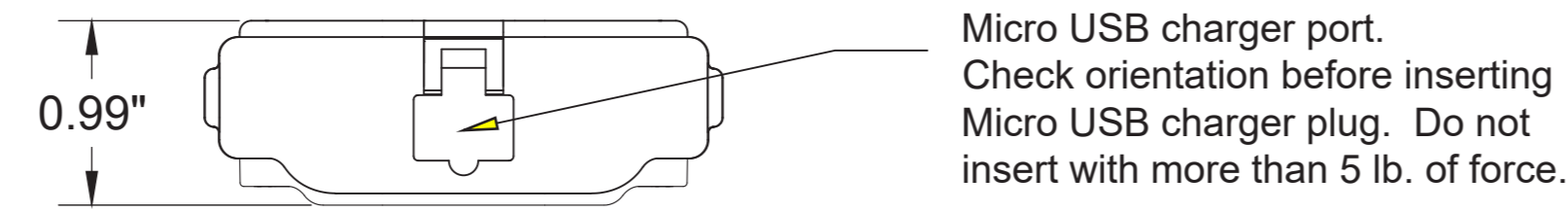
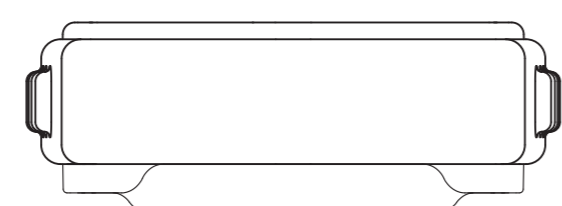
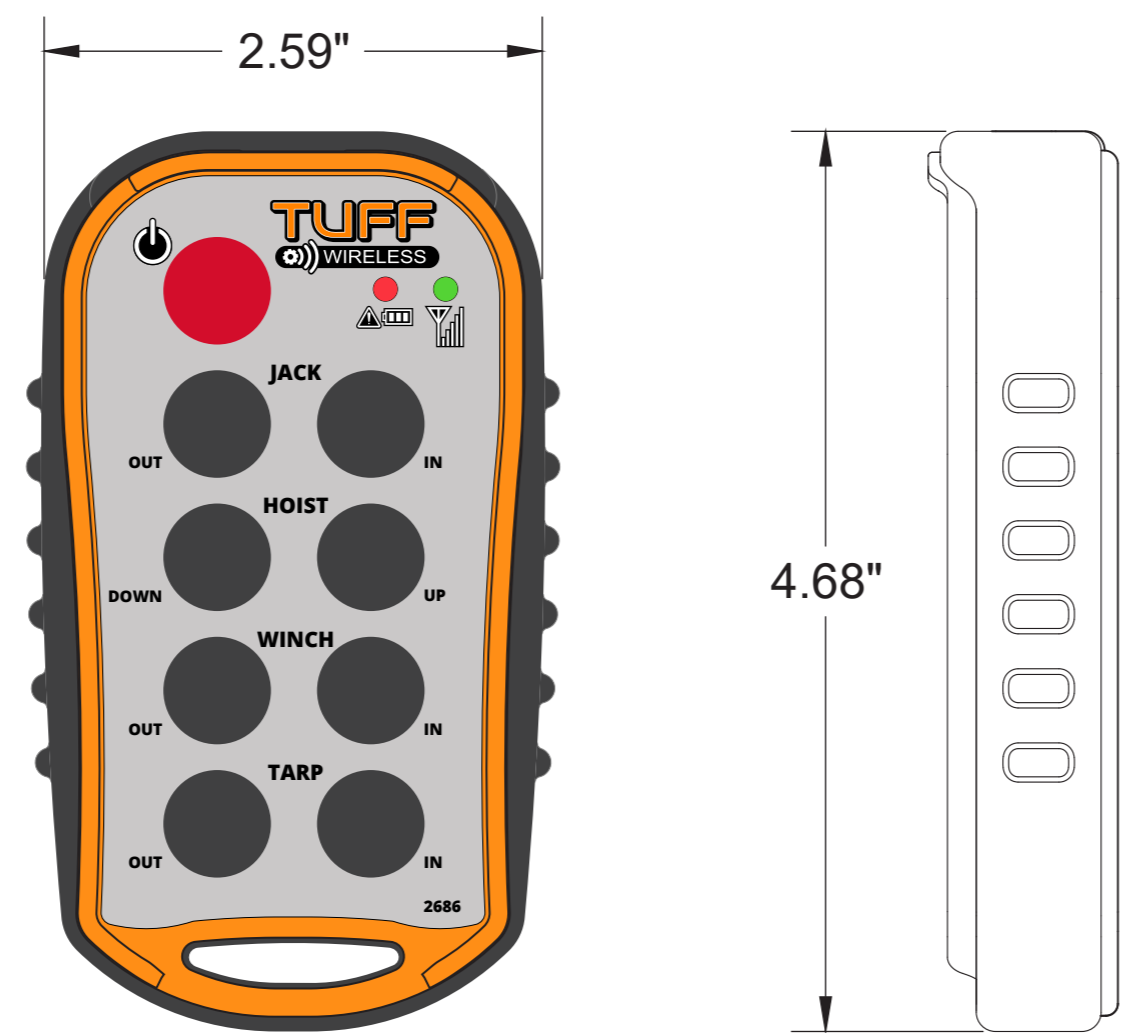


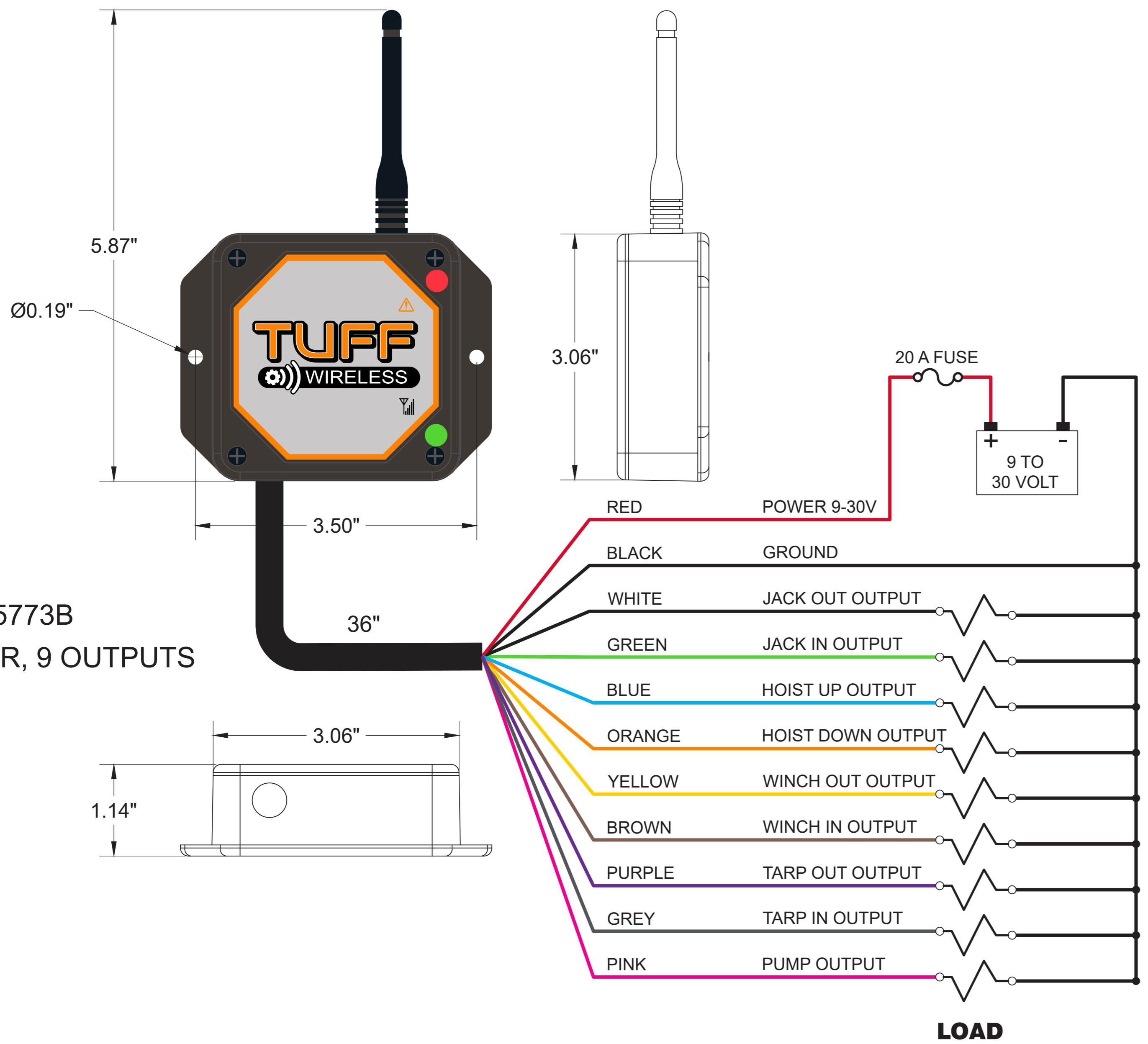
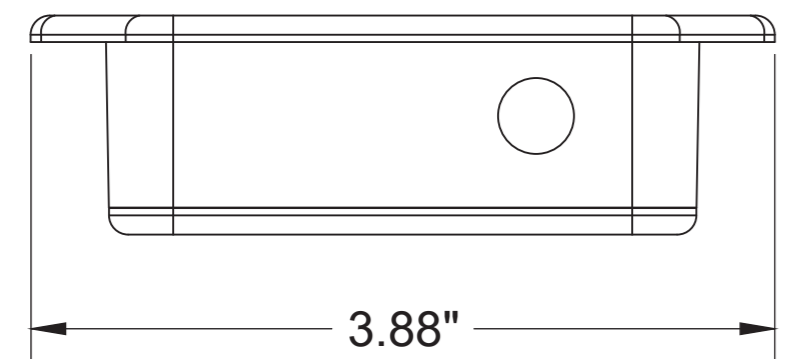
SALES KIT 3A5771B
CONTAINS
1x 3A5772A MACRO TRANSMITTER
1x 3A5773B RECEIVER



Only use approved chargers
MICRO WALL CHARGER/ 110-240VAC (B20172A)
MICRO CAR CHARGER/ 12-24VDC (B20173B)



P/N: 3A5772A
TRANSMITTER, MACRO, 8 BUTTON



P/N: 3A5773B
RECEIVER, 9 OUTPUTS

OPERATION

- To turn on the transmitter, Press and hold the POWER button for at least 2 seconds until both red and green LEDs turn on then release.
- The transmitter is designed with a power saving feature which turns the transmitter off after 15 minutes if no buttons are pressed, regardless of receiver status.
- There are red and green LEDs both on the front of the transmitter and inside the receiver case. The green LED will blink 2 times per second when the transmitter and receiver are communicating. It will blink 1 time per second if there is no communication (i.e. - no power to the receiver)
- The red LED in the receiver has been disabled by customer request.
- The transmitter's red LED blinks 1 time per second if the battery is low and needs to be charged.
 - The red LED will stay on while charging and when the charge is completed the green LED will stay on.
 - It will take longer to charge if the transmitter is on during charging.

SYNCHRONIZING TRANSMITTER AND RECEIVER

Each transmitter and receiver pair is synchronized together at the factory. If a new transmitter is needed, synchronizing is required. Use the following procedure:

- Turn both transmitter and receiver off
- With the transmitter off, press and hold the POWER button for more than 10 seconds. LEDs start blinking.
- Turn on the receiver
- Wait for a few seconds until just the green LED begins to blink rapidly on the transmitter
- Teach complete

SLEEP TIME

All transmitters have the ability to change the sleep time from the default to user's preference. The transmitter is factory set to turn off (sleep) after 60 minutes when receiver is off. To change the time the transmitter waits before going to sleep, use the following procedure:

- With the transmitter off, press and hold buttons TARP OUT, TARP IN, and POWER.
- Release the buttons. At this point, both lights will blink once per second
- On the transmitter, press one of the following buttons to adjust the sleep time:
 - JACK OUT = 15 minutes
 - JACK IN = 30 minutes
 - HOIST DOWN = 60 minutes
 - HOIST UP = 120 minutes
 - WINCH OUT = sleep disabled
- Sleep time programming complete

CLONING TRANSMITTERS

WARNING! - ONLY ONE TRANSMITTER CAN BE ON AT A TIME, THEY CANNOT BE USED SIMULTANEOUSLY - use with CAUTION!

Occasionally, it is desirable to have more than one transmitter work with a single receiver. This is accomplished by a process called cloning. Cloning allows an additional transmitter (B) to have the same ID code as the original transmitter (A). If this feature is desired, use the following procedure:

- Make sure both transmitters and the receiver are off
- On Transmitter A, press and hold the POWER button for 10 seconds until LEDs blink, then release. Green and red LEDs will blink together at this point
- On Transmitter B, press and hold buttons WINCH IN, TARP IN, and POWER simultaneously until both LEDs start to blink
- Wait for few seconds until the green LED starts to blink on transmitter A and transmitter B.
- Turn both of the transmitters off
- Synchronize one of the transmitters to the receiver using SYNCHRONIZING TRANSMITTER AND RECEIVER instructions above

If the cloning feature has been invoked and is no longer desired, the ID code of one of the transmitters needs to be changed. This will unclone the transmitters. If this is desired, use the following procedure:

- Make sure the receiver and transmitter are OFF
- Press and hold buttons JACK OUT, JACK IN, HOIST DOWN, and POWER buttons simultaneously until both LEDs start toggling then release
- Press any button again to select a new ID
- Uncloning complete. Follow the SYNCHRONIZING TRANSMITTER AND RECEIVER procedure above to link the uncloned transmitter to a new receiver

SPECIFICATIONS

- RF: 2.4GHz FHSS 100mW
- Temperature: Receiver: -40 to +85°C Transmitter: -20 to 60°C
- Output Rating: 5A each (sourcing) 20A system maximum
- Encapsulated electronics inside receiver
- Transmitter Power: 3.7V LiPo rechargeable battery
 - Battery life: 30-40 hours continuous
- Receiver Power: 9-30V DC